



Infinity®

CENTER CHANNEL

*Model CC-3
2-Way Center-Channel Speaker*

Owner's Manual

INTRODUCTION

VOICE-MATCHING...

The Infinity CC-3 is a low-profile 2-way speaker system created specifically for center-channel use. It features extended high-frequency response and fine-adjustment voice-matching controls, all designed to help seamlessly integrate the sound of the CC-3 with other speakers in your home theater system.

FLEXIBLE PLACEMENT...

This highly-efficient, magnetically-shielded speaker requires minimal power to produce sound levels greater than those heard in a movie theater. The accompanying speaker stand allows a vertical tilt range of 25 degrees for ideal sound coverage whether placed on top of or below the television.

ABOUT THIS MANUAL...

Please read the remaining pages before connecting and operating the CC-3 speaker. Maximum performance is dependent on following these instructions, as well as those listed in the owner's manuals of associated components in your home theater system. Save these instructions for future reference. These speakers are covered by a limited five-year warranty, so save the bill of sale to protect your purchase and aid in any service-related questions.

UNPACKING THE SPEAKER

Finish unpacking the speaker and check the contents. If you suspect damage from transit, report it immediately to your dealer and/or delivery service. Keep the shipping carton and packing materials for future use.

PARTS LIST...

Please verify that the package contains the following items:

- ◆ (1) CC-3 Center-Channel Speaker
- ◆ (1) Speaker Stand
- ◆ (1) Owner's Manual
- ◆ (1) Warranty Card

TOOLS AND SUPPLIES (NOT ENCLOSED)...

You may also need the following tools and supplies:

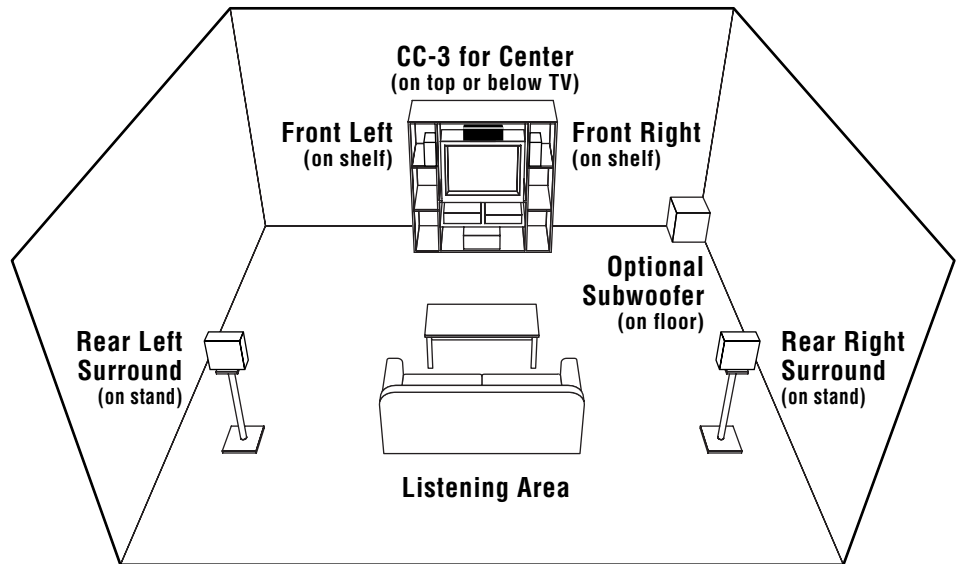
- ◆ High-quality speaker wire
- ◆ Wire strippers
- ◆ Banana plugs or spade terminals (if desired)

PLANNING YOUR SYSTEM

To help plan your home theater system, study the layout in Figure 1, which represents a typical living room where the home theater system is the main focus.

For best results, the CC-3 center-channel speaker should be placed horizontally in its stand on top of the television or on a shelf directly above the set (see *Placement* on the next page). Or, if space is at a premium, an alternate location is below the television on a shelf. Make sure the CC-3 faces the viewing audience.

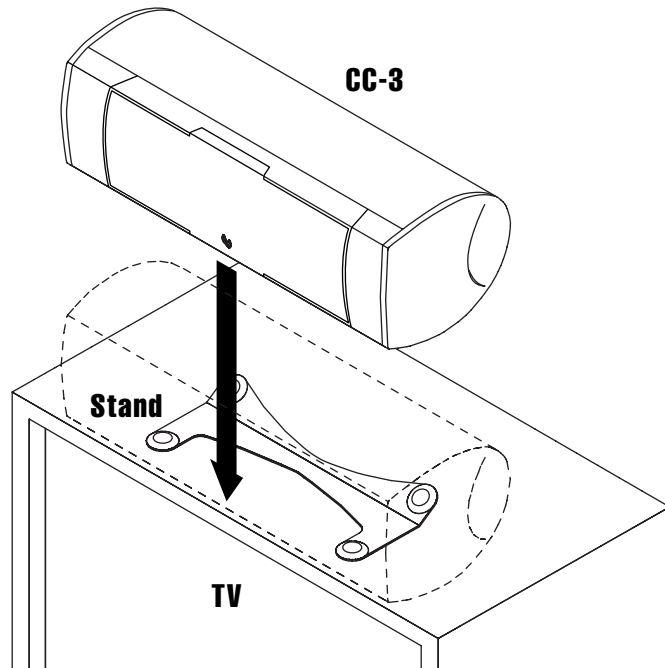
Figure 1. The CC-3 center-channel speaker can be placed on top of a television or on shelf directly above or below the set.



PLACEMENT

The CC-3 center-channel speaker is designed for easy placement on top of a television via the enclosed stand, as shown in Figure 2. If the top of the television is not deep enough, place the CC-3 on a shelf directly above it. Or place the speaker on a shelf below the set and tilt the CC-3 up in its stand towards listeners (refer to Figure 3).

Figure 2. This example shows the CC-3 center-channel speaker being placed on top of a television in its enclosed stand. The speaker can also be placed on a shelf directly above the set or below it and tilted up in its stand towards listeners (see Figure 3).



TILTING THE SPEAKER...

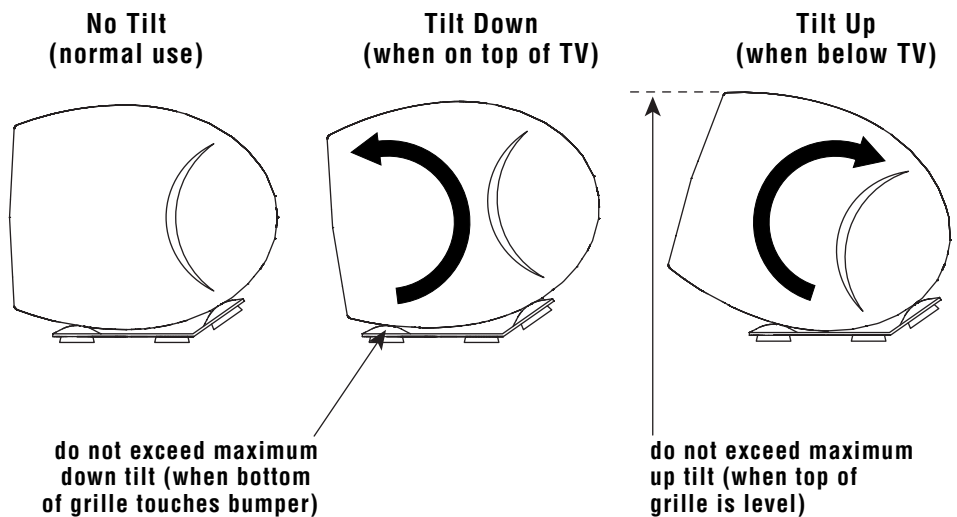
IMPORTANT!

If needed, the enclosed stand allows you to tilt the speaker across a 25-degree range (i.e., 18° up and 7° down), as shown in Figure 3.

DO NOT EXCEED THE TILT RANGE. Doing so may cause the speaker to fall out of its stand.

Figure 3. The CC-3 center-channel speaker can be tilted up or down in its stand.

CC-3 Tilt Range (Side View)



WIRING THE SYSTEM

TURN OFF ALL POWER...

IMPORTANT!

IMPORTANT!

After placing the speaker, you are ready to connect it to your system. First turn off all audio system power. Use high-quality speaker wire to make the connections. Consult the owner's manuals (included with your amplifier, receiver, or television) for connection and operation procedures.

When using the CC-3 for center-channel reproduction, set the center-channel mode (on a Dolby Pro Logic preamplifier or A/V receiver) to NORMAL. This will route the low frequencies (below 100 Hz) away from the center-channel speaker to the front left and right speakers.

Observe polarities when making speaker connections, as shown in Figures 4 (below) and 5 (on the next page). Connect the appropriate + terminal on the back of the amplifier, receiver, or television to the respective + (red) terminal on the CC-3 speaker. Similarly, connect the - (black) terminals in the same way.

Do not reverse polarities (i.e., + to - or - to +) when making connections.

Figure 4. The CC-3 center-channel speaker features gold-plated terminals that can be connected in several different ways; e.g., banana plugs, spade terminals, and direct wiring (as shown here).

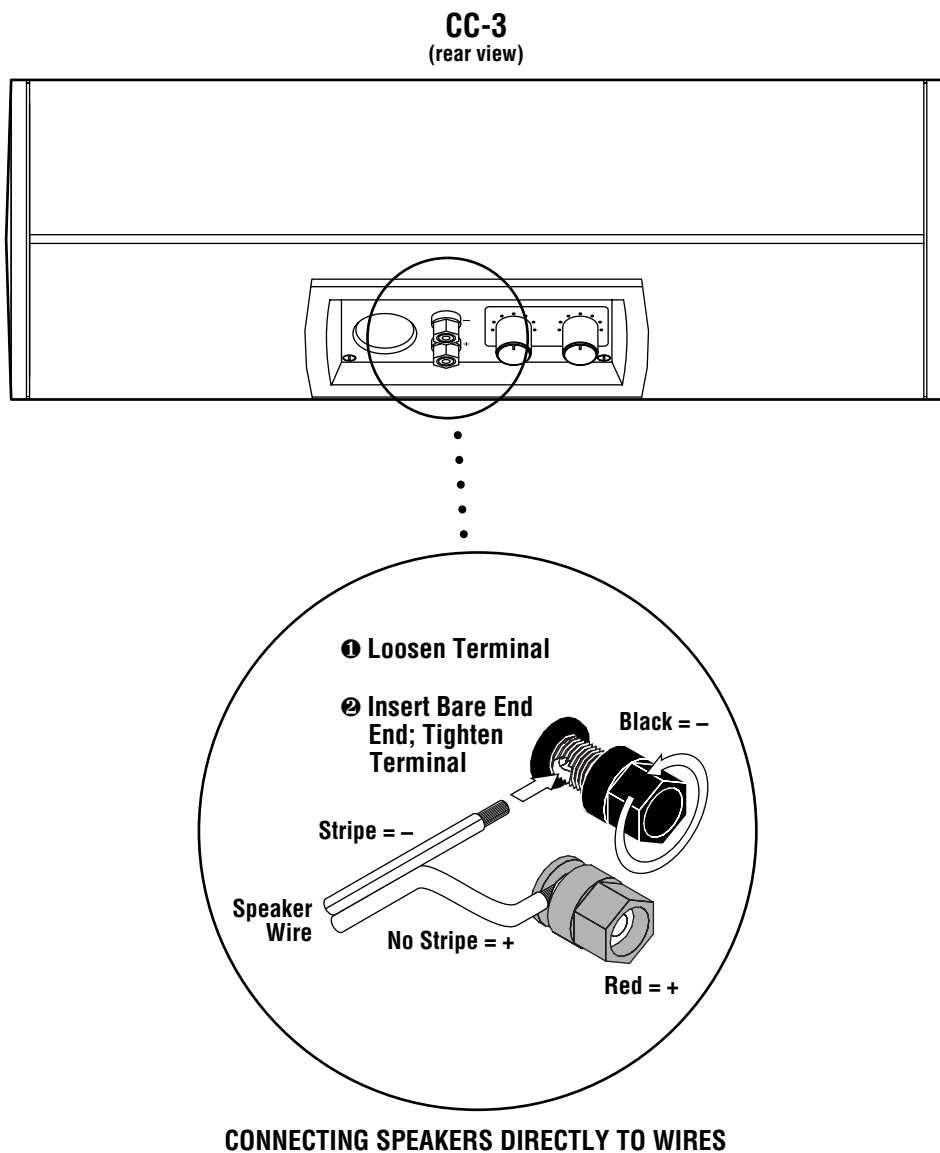
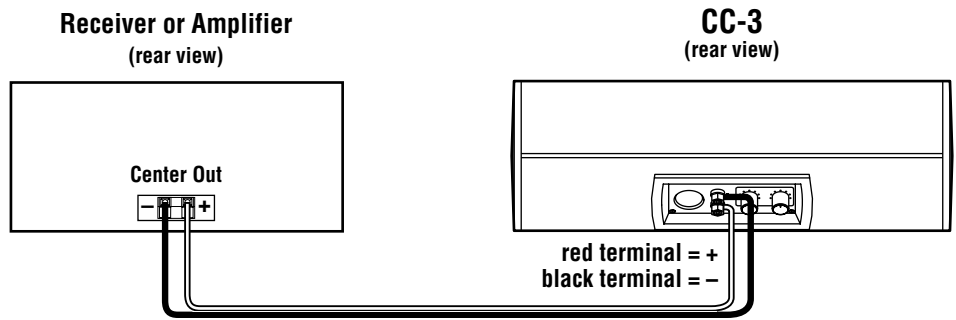


Figure 5. This wiring diagram shows polarity connections for a center channel connection (also see the owner's manual that came with your amplifier, receiver, or television).



TESTING THE SPEAKER

After placing and wiring the speakers, turn on audio system power. Follow the instructions (packed with your A/V preamplifier or receiver) to calibrate the Dolby® Pro Logic channels. Most components include a built-in test tone to help you balance the sound levels to all speakers in your system.

VERIFY TEST TONE...

During calibration, verify that the CC-3 center-channel speaker reproduces the test tone. If not, check the wiring connections and see the *Troubleshooting* chart (on the next page) for help.

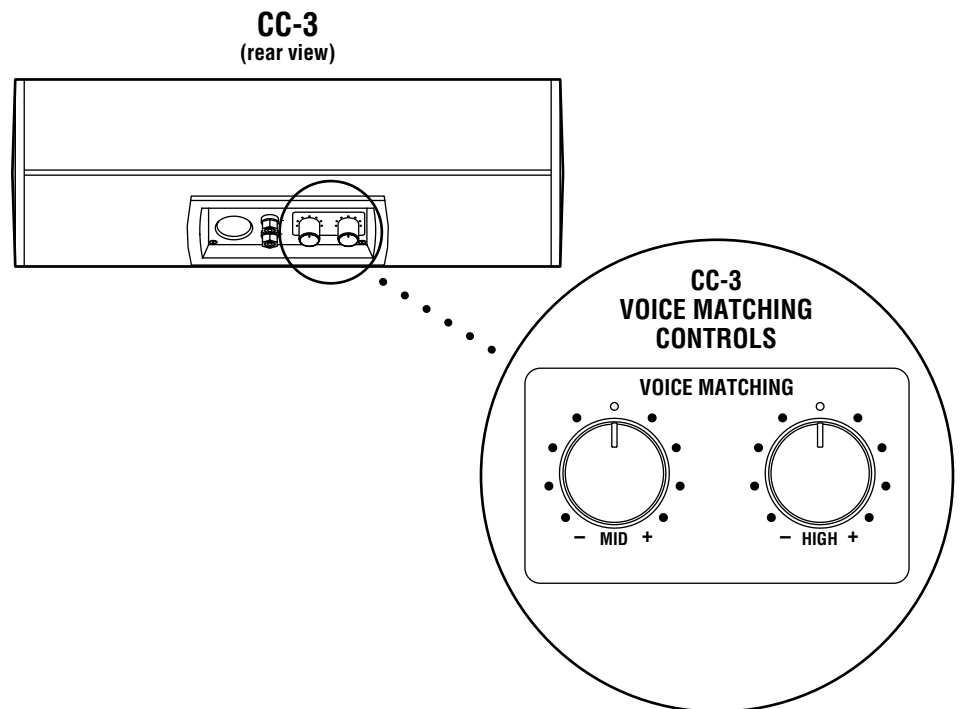
ADJUST VOICE MATCHING...

Once calibration is complete, audition a variety of home theater selections and listen to the sound quality of the dialogue reproduced by the CC-3. If you feel the CC-3 is too bright, you can reduce it by adjusting the HIGH control (see Figure 6) from the normal “○” center position towards the “-” setting. Conversely, if you want more brightness, rotate the level control towards the “+” setting.

In a similar way, adjust the MID control to increase or decrease midrange frequencies.

Figure 6. The CC-3 includes VOICE MATCHING controls (on the rear) to help match the sound coming from the front left and right speakers.

NOTE: The normal “○” center position is typically the best match when using other Infinity speakers in your home theater system.



CARE OF YOUR SPEAKER SYSTEM

The CC-3 cabinet does not require any routine care. Its durable finish is easy to clean with a standard cleaning product should you need to remove fingerprints or dust. **DO NOT USE POLISHES.** Clean the grille by gentle vacuuming.

TROUBLESHOOTING

SYMPTOM	CAUSE	SOLUTION
No sound	Power is off; Pro Logic decoder is off	See A/V preamplifier's or receiver's owner's manual for operation and further help
	Speaker not connected	Connect speaker (see pages 4 and 5)
Distortion with volume control near minimum	Defective A/V preamplifier or receiver	Repair defective A/V preamplifier or receiver
	Shorted speaker wires	Check or repair wiring (see pages 4 and 5)
Distortion on music peaks or sound effects (e.g., pops or rapping noise)	Dynamic soundtrack (e.g., explosions) causes speaker to "bottom" out	Turn down master volume control to lower overall range
	Tone controls are set too high	Set bass and treble flat; use controls sparingly
	CC-3 is too bright	Turn CC-3 VOICE MATCHING controls towards "-" (see page 5)
Dialogue sounds dull	CC-3 is too dull	Turn CC-3 VOICE MATCHING controls towards "+" (see page 5)
Buzz, hum, or crackle when connecting wires	Connecting wires with power on causes transient signal spikes	Connect wires only when audio system power is off
Buzz or hum when A/V preamplifier or receiver is on	Grounding problem	See A/V preamplifier's or receiver's owner's manual for operation and further help

SPECIFICATIONS

PERFORMANCE DATA

Frequency Range:	80 ~ 20,000 Hz
Sensitivity:	91 dB @ 2.83 V and 1 m (anechoic conditions)
Impedance:	8 Ω
Maximum Peak Output:	111 dB (spl on program)
Amplifier Requirements:	Recommended for use with amplifiers 10 ~ 150W (@ 8 Ω)

DRIVE UNITS

Low/Mid Frequency:	2 x 5 ¹ / ₄ " (125 mm) high-efficiency, ultra-linear, long-throw, magnetically-shielded drive units
High Frequency:	1" (25 mm) soft dome, high-efficiency, neodymium magnet, magnetically-shielded tweeter
Crossover Frequency:	2,500 Hz

VOICE-MATCHING CONTROLS

Adjustment Range:	HIGH: 6 dB, 3 ~ 20 kHz MID: 6 dB, 400 Hz ~ 3 kHz
-------------------	---

DIMENSIONS

Width:	18 ¹ / ₂ " (470 mm)
Height:	6 ¹ / ₂ " (165 mm)
Depth:	7 ³ / ₄ " (197 mm)
Weight:	16 lb (7.3 kg)

LIMITED FIVE YEAR WARRANTY

Who is protected by the warranty?

Your Infinity warranty protects the original retail purchaser and all subsequent owners for a period of five (5) years (parts and labor) for all speaker components from any failure as a result of an original manufacturing defect so long as: (1) your Infinity loudspeakers were purchased within the fifty states of the U.S.A. or by military personnel from an authorized military outlet and (2) the original dated bill of sale is presented whenever service is required during the warranty period. This warranty does not apply to products purchased elsewhere; other purchasers should contact their local Infinity distributor for warranty information.

What does the Infinity warranty cover?

Except as specified below, this warranty covers all defects in original materials and workmanship. The following are not covered: damage caused by accident, misuse, abuse, neglect, product modification; damage occurring during shipment, damage caused by failure to follow instructions in the owner's manual, including failure to perform recommended periodic or routine maintenance; damage resulting from repairs by someone not authorized by Infinity; claims based upon any misrepresentations by the sellers; and any Infinity product on which the serial number has been altered, defaced or removed.

Who pays for what?

During the period of this warranty, subject to the above conditions, Infinity will pay all of the labor and material expenses to repair a warrantable defect.

How can warranty service be obtained?

In the event that your loudspeaker(s) should require service, you should first contact the Infinity dealer from whom the product was purchased or, if this is not practical, contact Customer Service in writing at:

Infinity Systems, Inc., 20630 Nordhoff Street, Chatsworth, CA 91311 USA

or by calling us at (818) 407-0228 (FAX: 818-709-9486)

We may direct you to an authorized service center for Infinity product or ask you to send them to us for repair. In either case you will have to present your original dated bill of sale to establish warranty coverage. Do not send your speaker(s) to us without prior authorization from our Customer Service department.

You are responsible for transporting your product to either Infinity or an authorized service center and for payment of all shipping charges; however, Infinity will pay the return shipping charges (in the event you return the product to us) if the repairs are covered by the warranty. If you experience difficulty in transporting your product or are in need of packing materials, please advise us and we may be able to suggest alternative procedures and/or adequate packaging materials.

LIMITATION OF IMPLIED WARRANTIES: All implied warranties, including fitness for a particular purpose and merchantability are limited in duration to the length of the warranty period for your product.

LIMITATION OF INCIDENTAL OR CONSEQUENTIAL DAMAGES: Infinity is not responsible for an incidental or consequential damage of any kind. Our liability is limited to the repair or replacement, at our option, of a defective product.

Some states do not allow limitations on how long an implied warranty lasts and/or do not allow the exclusion of incidental or consequential damages, so the above limitations or exclusions may not apply to you. This warranty gives you specific legal rights and you may also have other rights which vary from state to state.

NOTE: In the event that there is a difference between this warranty and the provisions in any advertisements, product brochure or packaging cartons, the terms of this warranty will prevail.

Infinity constantly strives to update and improve existing products, as well as create new ones. Therefore the specifications and construction details in this and related Infinity publications are subject to change without notice.

© 1996 Infinity Systems Inc., 20630 Nordhoff Street, Chatsworth, CA 91311 USA

(818) 407-0228 • FAX (818) 709-9486

www.infinitysystems.com

Infinity is a registered trademark of Infinity Systems, Inc. Dolby and Pro Logic are trademarks of Dolby Laboratories Licensing Corp.



Infinity Systems, Inc.
20630 Nordhoff Street
Chatsworth, CA 91311, USA

(818) 407-0228 • FAX (818) 709-9486
www.infinitysystems.com